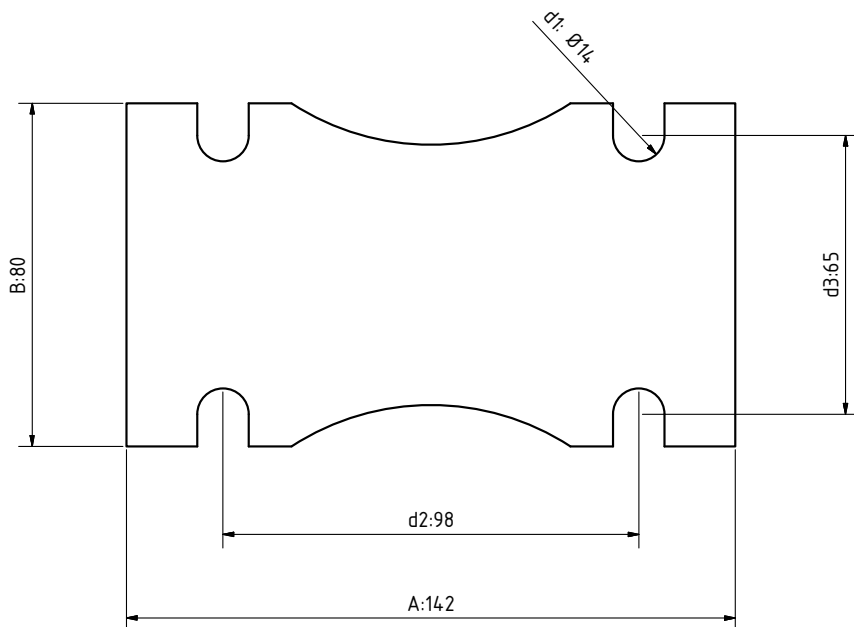


## Montageanleitung - Assembly Instructions



			<b>GEA4500</b>
Art. Nr. Item No.			5814501900
Lochdurchmesser Hole Diameter	<b>d1</b>	mm	<b>14</b>
Lochabstand Hole Distance	<b>d2</b>	mm	<b>98</b>
Lochabstand Hole Distance	<b>d3</b>	mm	<b>65</b>
Länge Length	<b>A</b>	mm	<b>142</b>
Breite Width	<b>B</b>	mm	<b>80</b>